

# ***PARTS LIST***

## **MF-7900(D)/UT59 PARTS LIST**

ALL PARTS NOT MENTIONED IN THIS PARTS LIST ARE SAME AS THOSE OF  
MODEL MF-7900 OTHER PARTS LIST RELATED TO THIS MODEL.  
\*MF-7900 SERIES (NO.1599 PART NO.70002009)

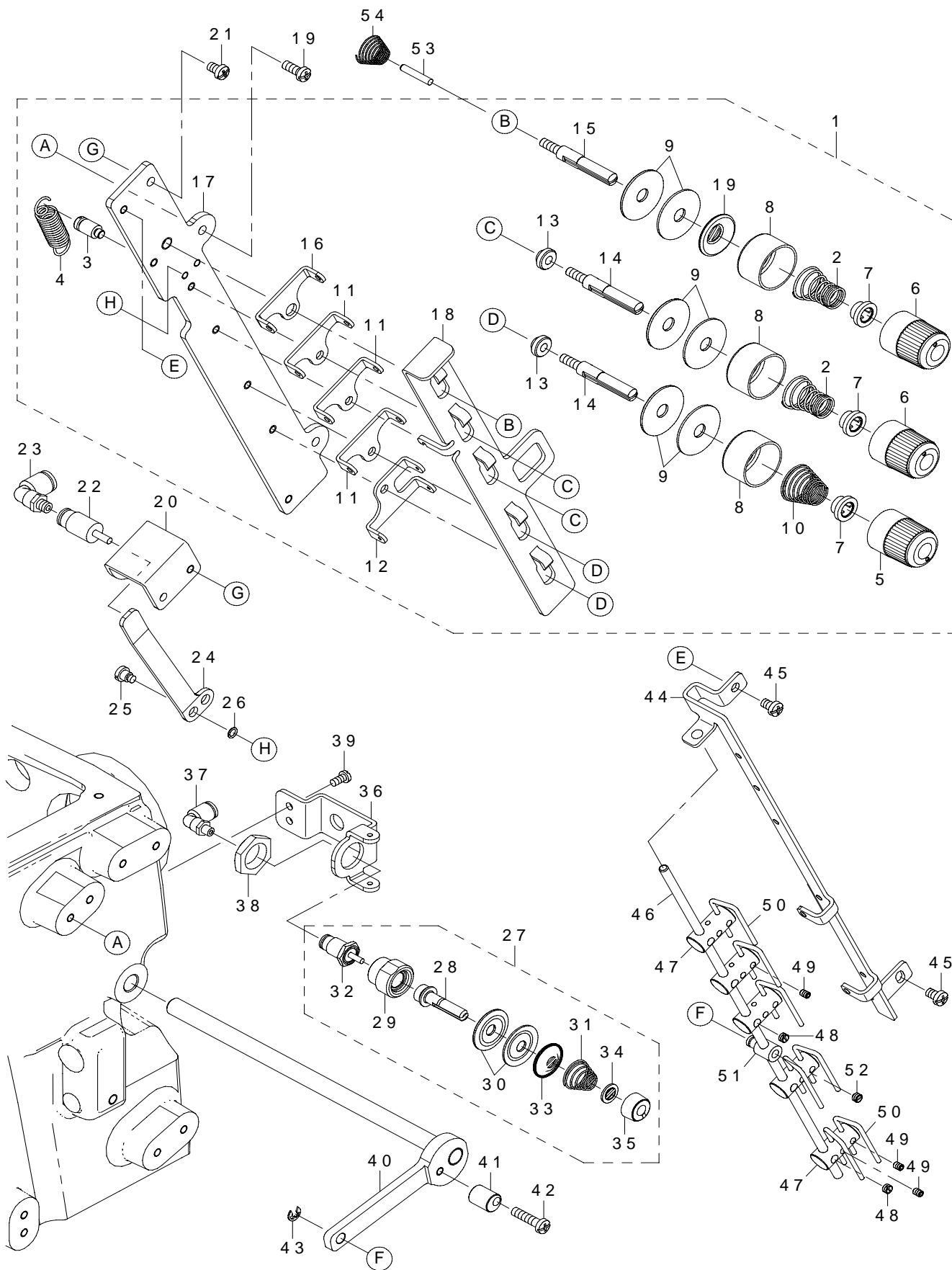


REF.NO	NOTE	PART NO	DESCRIPTION	Qty
1		700-01866	CYLINDER COVER H22	1
2		700-01655	SIDE COVER BOTTOM	1
3		SM-6040800-SP	SCREW	6
4		SM-6040800-SP	SCREW	2
5		134-01906	LATCH SPRING 2	1
6		SM-4040655-SP	SCREW M4 L=6	1
7		PH-0300252-C0	PARALLEL PIN TYPE B 3X25	2
8		SM-8040360-TP	SCREW	2
9		RO-0371801-00	O-RING	2
10		700-01661	GASKET	1
11		SM-4042055-SP	SCREW	3
12		134-02003	LATCH SPRING	1
13		700-01890	SIDE COVER	1
14		SM-6850400-SP	SCREW M2.5 L=4	1
15		SM-6040450-TP	SCREW M4 L=4	1
16		SM-1040860-SP	SCREW	4
17		700-01413	MOTOR COVER	1
18		401-19461	HEAD FAN MOTOR A ASSY	1
19		700-01457	FAN CORD ASSY	1
20		133-02203	SCREW	2
21		SL-6042092-TN	SCREW M4 L=20	2
22		SM-4051455-SP	SCREW M5 L=14	4
23		700-01663	GASKET B	1
24		700-01642	COVER FOR FEED ADJUST	1
25		700-01643	COVER FOR FEED ADJUST PACKING	1
26		SM-4040855-SP	SCREW	6
27		SM-4040655-SP	SCREW M4 L=6	2
28		700-01673	LOOPER THD COVER	1
29		NM-6040000-SN	NUT M4 TYPE1	1
30		SM-4041055-SP	SCREW	1
31		SM-6050800-SP	SCREW M5 L=8	2
32		SM-4041055-SP	SCREW	3
33		133-01809	SUPPORT STUD	4
34		700-01870	SWING DOWN COVER	1
35		133-02302	RUBBER BUMPER	1
36		700-01648	HINGE	1
37		SM-8040412-TP	SCREW M4X4	2
38		SM-6051000-SP	SCREW	2
39		SM-1040800-SP	SCREW	2
40		134-02706	PIN FOR COVER	1
41		SM-8040360-TP	SCREW	1
42		700-01888	HEM GUIDE LEFT	1
43		SM-6850400-SP	SCREW M2.5 L=4	1
44		SM-6040450-TP	SCREW M4 L=4	1
45		700-04248	HEM GUIDE RIGHT	1
46		WP-0430801-SC	WASHER M4	2
47		SM-6040450-TP	SCREW M4 L=4	2
48		400-40255	HEM_GUIDE	1
49		SM-4040855-SP	SCREW	2
50		WP-0430801-SC	WASHER M4	2
51		SM-4040655-SP	SCREW M4 L=6	1
52		700-01646	HINGE BASE	1
53		700-01414	SCREW	1
54		WS-0510002-KP	SPRING WASHER 5.1X9.2X1.3	1
55		134-09800	DIFF LINK PIN	1
56		400-30059	SS_COVER_ASSY	1
57		400-19868	SS_COVER	(1)
58		CM-3002000-01	FINGER INJURY CAUTION LABEL (16)	(1)
59		SM-4051455-SP	SCREW M5 L=14	1
60		SM-4040655-SP	SCREW M4 L=6	1
61		700-03355	CLOTH_PLATE_ASSY	1
62		700-03432	THROAT_PLATE_SUPPORT_H22	1
63		700-03433	REAR_COVER_H22	1
64		700-03451	CLOTH_PLATE_FRONT_H22	1
65		700-03452	SIDE_COVER_UPPER_H22	1
66		700-04247	SLIDE_COVER_ASSY	1
67		700-03456	SLIDE_COVER_STOPPER	1
68		700-03457	UNDER_COVER_H22	1
69		SM-1040650-TP	SCREW	2
70		SM-6040750-TP	SCREW M4 L=7	2
71		SM-5040655-SN	SCREW	2
72		SM-6040602-TN	SCREW	2
73		BT-0600402-EA	URETHANE TUBE CLEAR BLUE 6X4	0.01
74		229-01409	NEEDLE BAR UPPER BUSH CAP	3
75		SM-8041012-TP	SCREW M4 L=10	1
76		NM-6040000-SN	NUT M4	1
77		HX-0031400-0D	SPIRAL TUBE	0.7



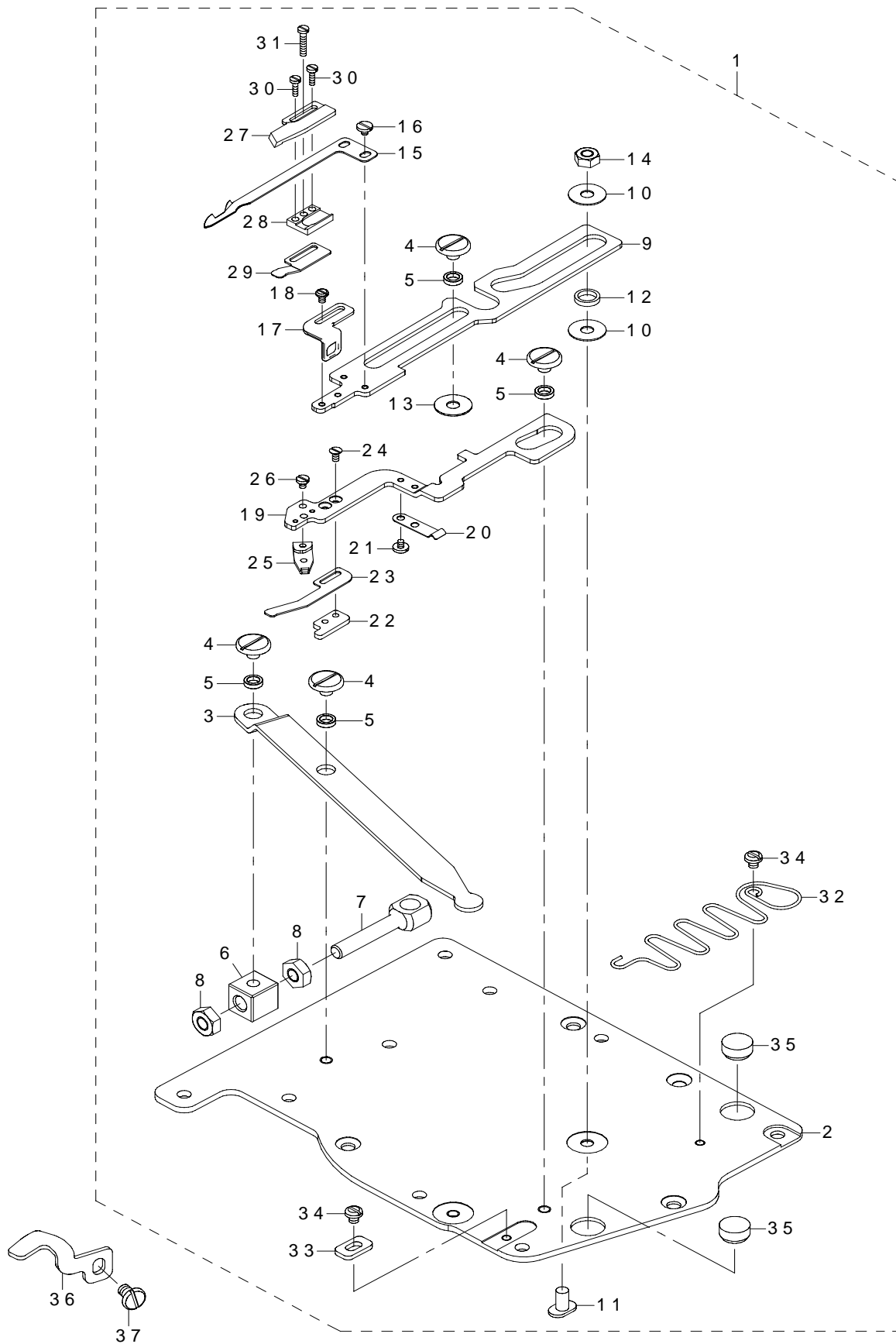
REF.NO	NOTE	PART NO	DESCRIPTION	Qty
1		700-04258	CYLINDER_COVER	1
2		700-01655	SIDE_COVER_BOTTOM	1
3		700-04256	SIDE_COVER_UPPER	1
4		SM-6040800-SP	SCREW	2
5		134-01906	LATCH_SPRING_2	1
6		SM-4040655-SP	SCREW M4 L=6	1
7		PH-0300252-C0	PARALLEL_PIN_TYPE_B_3X25	2
8		SM-8040360-TP	SCREW	2
9		RO-0371801-00	O-RING	2
10		700-01661	GASKET	1
11		SM-4042055-SP	SCREW	4
12		400-30059	SS_COVER_ASSY	1
13		400-19868	SS_COVER	(1)
14		CM-3002000-01	ATTENTION_SEAL	(1)
15		SM-4051455-SP	SCREW M5 L=14	1
16		SM-4040655-SP	SCREW M4 L=6	1
17		229-01409	NEEDLE_BAR_UPPER_BUSH_CAP	3
18		700-03457	UNDER_COVER_H22	1
19		SM-6040602-TN	BOLT	2
20		700-01663	GASKET_B	1
21		SM-6040800-SP	SCREW	6
22		134-02003	LATCH_SPRING	1
23		SM-1040860-SP	SCREW	4
24		700-03355	CLOTH_PLATE_ASSY	1
25		SM-4041055-SP	SCREW	3
26		700-04264	SLIDE_COVER_ASSY	1
27		400-40255	HEM_GUIDE	1
28		133-01809	SUPPORT_STUD	4
29		700-01650	SWING_DOWN_COVER	1
30		133-02302	RUBBER BUMPER	1
31		700-01648	HINGE	1
32		SM-8040412-TP	SCREW M4X4	2
33		700-04265	CLOTH_PLATE_FRONT	1
34		SM-1040800-SP	SCREW	2
35		134-02706	PIN_FOR_COVER	1
36		SM-8040360-TP	SCREW	1
37		SM-4040855-SP	SCREW	2
38		700-01414	SCREW	1
39		WS-0510002-KP	SPRING_WASHER_5.1X9.2X1.3	1
40		134-09800	DIFF_LINK_PIN	1
41		WP-0430801-SC	WASHER M4	2
42		SM-6050800-SP	SCREW M5 L=8	2
43		700-01652	BRACKET	1
44		700-01678	BRACKET	1
45		SM-6030800-SP	SCREW M3X0.5 L=8	2
46		SM-4040855-SP	SCREW	2
47		WP-0450801-SC	WASHER 4.5X10X0.8	2
48		SM-4041055-SP	SCREW	1
49		NM-6040001-SC	NUT M4X0.7 TYPE1	1
50		700-01673	LOOPER_THD_COVER	1
51		SM-4040655-SP	SCREW M4 L=6	2
52		700-01413	MOTOR_COVER	1
53		401-19461	HEAD_FAN_MOTOR_A_ASSY	1
54		700-01457	FAN_CORD_ASSY	1
55		SL-6042092-TN	SCREW M4 L=20	2
56		SM-4051455-SP	SCREW M5 L=14	4
57		700-04255	THROAT_PLATE_SUPPORT	1
58		NM-6040000-SN	NUT M4	1
59		700-01642	COVER_FOR_FEED_ADJUST	1
60		700-01643	COVER_FOR_FEED_ADJUST_PACKING	1
61		SM-4040855-SP	SCREW	6
62		700-01484	FINGER_GUARD	1
63		SM-8041012-TP	SCREW M4 L=10	1
64		SM-6040750-TP	SCREW M4 L=7	2
65		700-04262	REAR_COVER	1
66		SM-1040650-TP	SCREW	2
67		HX-0031400-0D	SPIRAL_TUBE	0.7

### 3. THREAD TENSION COMPONENTS



REF.NO	NOTE	PART NO	DESCRIPTION	Qty
1		700-04074	THREAD_TENSION_ASSY_UT59	1
2		131-40504	TENSION SPRING	(3)
3		133-40302	SHOULDER SCREW	(1)
4		260-19000	THREAD TENSION SPRING	(1)
5		400-42363	KNOB	(2)
6		400-42364	KNOB GREEN	(3)
7		400-42365	SPRING BUSHING	(5)
8		400-42366	THREAD TENSION DISK PRESSER	(5)
9		401-01602	THREAD_TENSION_DISC	(10)
10		401-02003	SPRING	(2)
11		700-01615	TENSION_DISC_EYELET_A	(3)
12		700-01616	TENSION_DISC_EYELET_B	(1)
13		700-01617	SPACER	(4)
14		700-01620	TENSION_POST	(4)
15		700-04070	TENSION_POST_NO.2	(1)
16		700-04071	TENSION_DISC_EYELET_C	(1)
17		700-04072	TENSION_POST_SUPPORT	(1)
18		700-04073	TENSION_DISC_SEPARATOR	(1)
19		B3132-552-000	THREAD TENSION DISK PRESSER	(1)
20		700-04067	DISK_RELEASE_PLATE_A	1
21		SM-4040655-SP	SCREW M4 L=6	1
22		PA-0600504-A0	AIR CYLINDER	1
23		PJ-3040405-04	ELBOW UNION	1
24		700-04068	DISK_RELEASE_PLATE_B	1
25		SD-0470316-TP	SHOULDER SCREW D=4.7 H=3.1	2
26		RO-0360802-00	RUBBER RING	2
27		700-04076	THREAD TENSION ASM.	1
28		700-04077	THREAD TENSION POST	(1)
29		700-04078	THREAD TENSION POST BASE	(1)
30		229-21506	THREAD TENSION DISK	(2)
31		700-04079	TENSION SPRING	(1)
32		PA-0600504-A0	AIR CYLINDER	(1)
33		229-21803	DISK STOPPER	(1)
34		229-21407	ROTATION STOPPER	(1)
35		229-21308	THREAD TENSION NUT	(1)
36		700-03449	AIR_CYLINDER_BRACKET	1
37		PJ-3040405-04	ELBOW UNION	1
38		NM-6160511-SE	NUT M16X1.5	1
39		SM-4040855-SP	SCREW	2
40		700-01618	PULL OFF LEVER ASSY	1
41		400-65785	TENS RELEASE ADJ ECC	1
42		SM-4041655-SP	SCREW M4 L=16	1
43		RE-0300000-K0	E-RING 3	1
44		700-01621	THREAD GUIDE	1
45		SM-4040655-SP	SCREW M4 L=6	2
46		134-56108	PULL OFF BAR	1
47		134-56207	THD P O HOOK GUIDE	5
48		SM-8040360-TP	SCREW	5
49		SM-8030412-TP	SCREW	7
50		134-56603	THD PULL OFF HOOK	7
51		134-56405	THD PULL OFF BAR HOLDER	1
52		SM-8040360-TP	SCREW	1
53		700-04069	TENSION_DISK_ROD	1
54		229-45505	THREAD TENSION SPRING	1

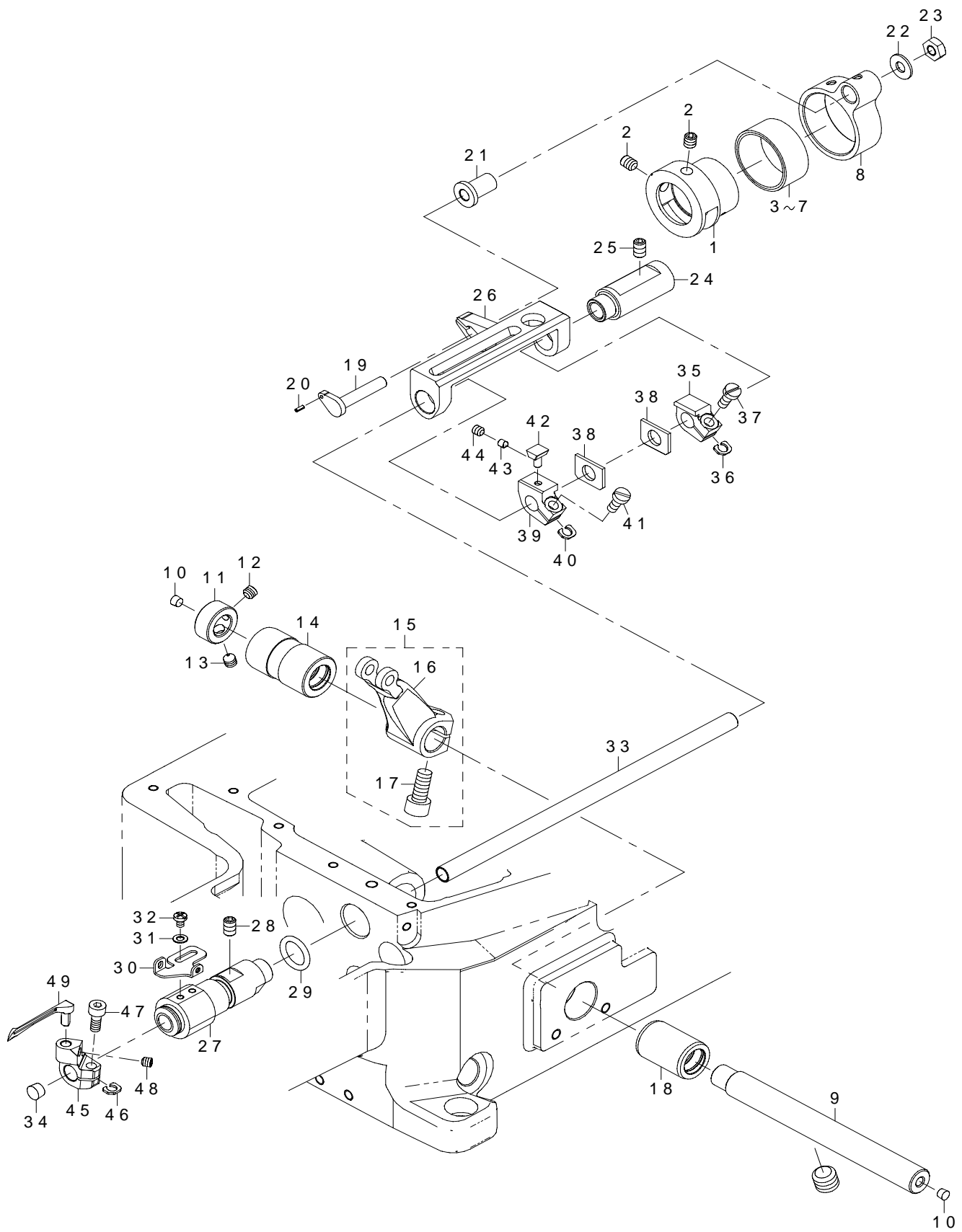
#### 4. LOOPER THREAD TRIMMER COMPONENTS





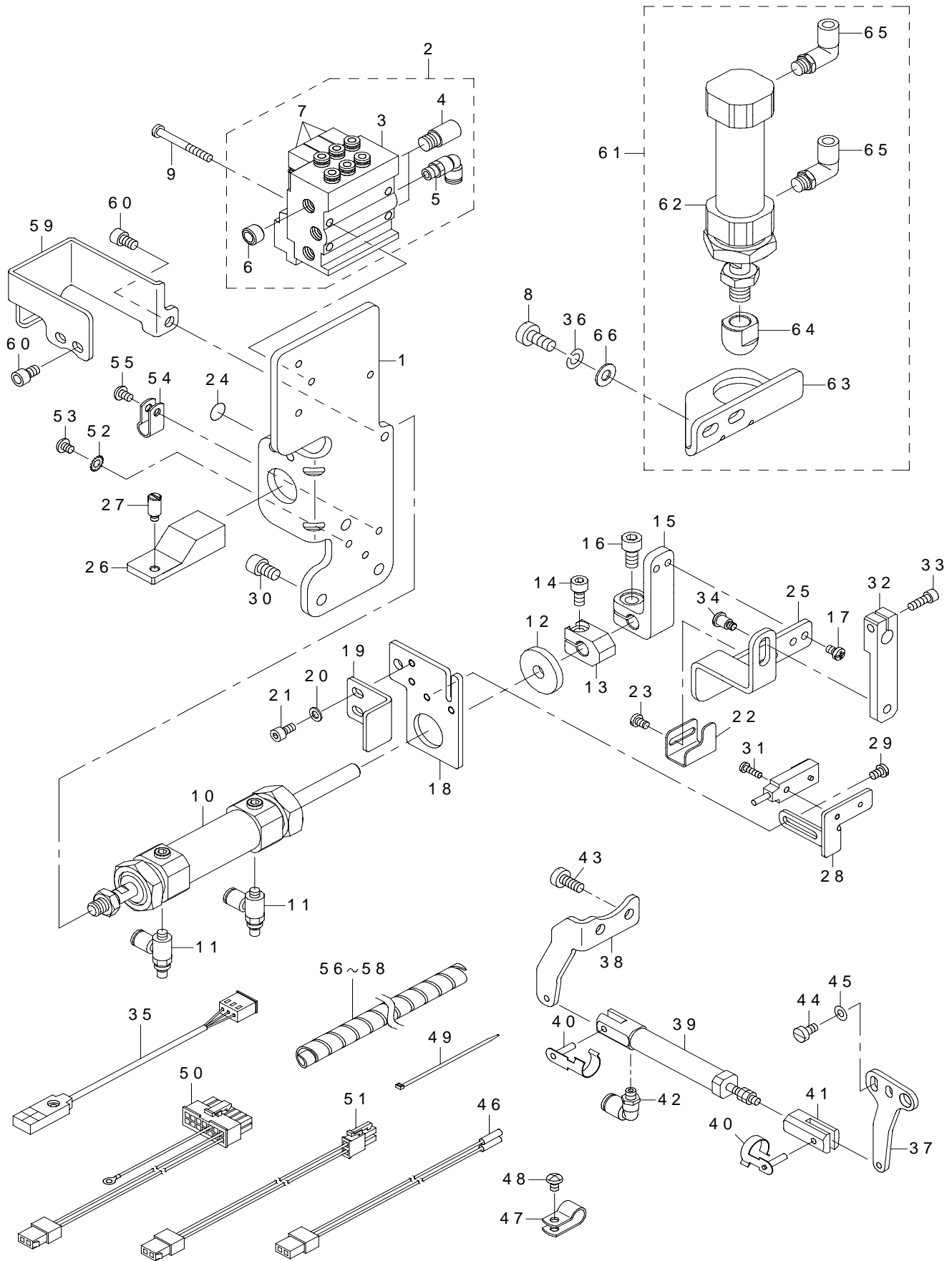
REF.NO	NOTE	PART NO	DESCRIPTION	Qty
1		700-04082	UNDER_TRIMMER_ASSY	1
2		700-01662	COVER PLATE	(1)
3		400-86294	LEVER	(1)
4		400-86303	SCREW M4X0.5 L=4	(4)
5		400-86293	COLLAR D6	(4)
6		400-86295	CONNECTING BLOCK A	(1)
7		400-86296	CONNECTING BLOCK B	(1)
8		NM-6050001-SP	NUT M5X0.8 TYPE1	(2)
9		400-86275	LOWER KNIFE HOLDER	(1)
10		WP-0420516-KH	THRUST WASHER 4.2	(2)
11		400-70110	SCREW	(1)
12		400-86292	COLLAR D8	(1)
13		WP-0431005-SP	PLAIN WASHER	(1)
14		NM-6040001-SP	NUT M4X0.7 TYPE1	(1)
15		700-04083	LOWER_KNIFE	(1)
16		400-86300	SCREW M2 L=2.3	(2)
17		700-01800	THREAD GUIDE	(1)
18		400-86301	SCREW M2 L=3	(2)
19		700-01801	KNIFE GUIDE HOLDER	(1)
20		400-86286	GUIDE SPRING	(1)
21		400-86300	SCREW M2 L=2.3	(2)
22		400-86282	PLATE	(1)
23		400-86280	THREAD CLAMP	(1)
24		SM-1020450-TP	SCREW M2 L=4	(2)
25		400-86308	TENSION LEVER	(1)
26		SM-6020350-SP	SCREW M2 L=2.5	(1)
27		400-86277	UPPER KNIFE	(1)
28		700-04084	LOWER_KNIFE_GUIDE	(1)
29		400-86279	KNIFE SPRING	(1)
30		400-86298	SCREW M1.6 L=6	(2)
31		400-86299	SCREW M2 L=10	(1)
32		134-40409	SPRING FOR UT	(1)
33		400-86290	STOPPER	(1)
34		400-86302	SCREW M3 L=3	(2)
35		TA-0980502-R0	RUBBER PLUG	(2)
36		700-01799	GUIDE BASE	1
37		SM-6040650-TP	SCREW	1

## 5. LOOPER COMPONENTS



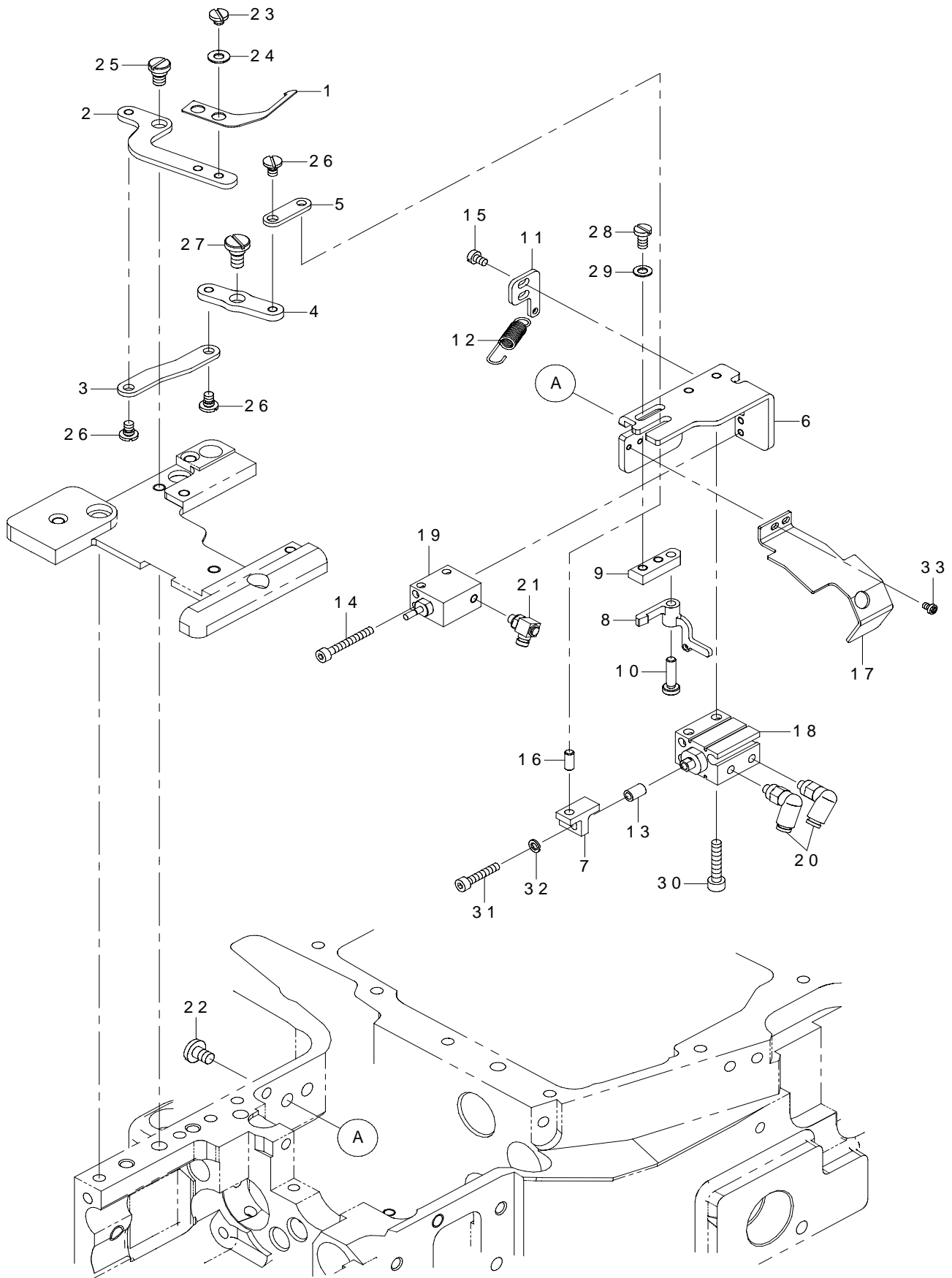
REF.NO	NOTE	PART NO	DESCRIPTION	Qty
1		134-22001	LOOPER ADOID ECCENTRIC	1
2		SM-8050612-TP	SCREW M5X6	2
3	#01	SB-3260002-0A	BEARING	1
4	#01	SB-3260002-0B	BEARING	1
5	#01	SB-3260002-0C	BEARING	1
6	#01	SB-3260002-0D	BEARING	1
7	#01	SB-3260002-0E	BEARING	1
8		134-22605	LOOPER AVOID LINK	1
9		134-24304	LOOPER SHAFT	1
10		TA-0400301-M0	PLUG D=4X4.5 L=3	2
11		CS-1000881-TP	THRUST COLLAR	1
12		SM-8050412-TP	SCREW M5 L=4	1
13		SM-8050642-TP	SCREW	1
14		134-23900	BUSHING REAR	1
15		134-24452	LEVER ASSY	1
16		134-24403	LEVER	(1)
17		SM-6061402-TP	SCREW M6 L=14	(1)
18		134-24502	BUSHING FRONT	1
19		134-22704	LOOPER AVOID PIN	1
20		PS-0150042-K0	SPRING PIN 1.5X 4	1
21		134-22803	BUSHING	1
22		131-20605	WASHER	1
23		NM-6050001-SC	NUT M5X0.8 TYPE1	1
24		134-23009	BUSHING RIGHT	1
25		SM-8050812-TP	SCREW M5X8	1
26		134-22902	GUIDE LOOPER BAR	1
27		700-04052	BUSHING_LEFT_UT59	1
28		SM-8050812-TP	SCREW M5X8	1
29		RO-1182401-00	O-RING	1
30		700-01762	THREAD GUIDE	1
31		WP-0320500-SC	WASHER M3	2
32		SM-4030455-SP	SCREW	2
33		134-24601	LOOPER BAR	1
34		TA-0600401-R0	PLUG	1
35		134-23405	HOLDER	1
36		134-23801	WASHER	1
37		SM-6041000-SP	SCREW M4 L=10	1
38		134-23603	WASHER	2
39		134-23504	SLIDER HOLDER	1
40		134-23801	WASHER	1
41		SM-6041000-SP	SCREW M4 L=10	1
42		134-23306	SLIDER	1
43		134-23702	PIN	1
44		SM-8040412-TP	SET SCREW M4 L=4	1
45		134-24700	LOOPER HOLDER	1
46		134-23801	WASHER	1
47		SM-6041002-TP	SCREW M4 L=10	1
48		SM-8040412-TP	SET SCREW M4 L=4	1
49		134-24809	LOOPER	1
		NOTE	#01....SELECTIVE PARTS	

## 6. PNEUMATIC DRIVE & PRESSER FEED LIFTER COMPONENTS



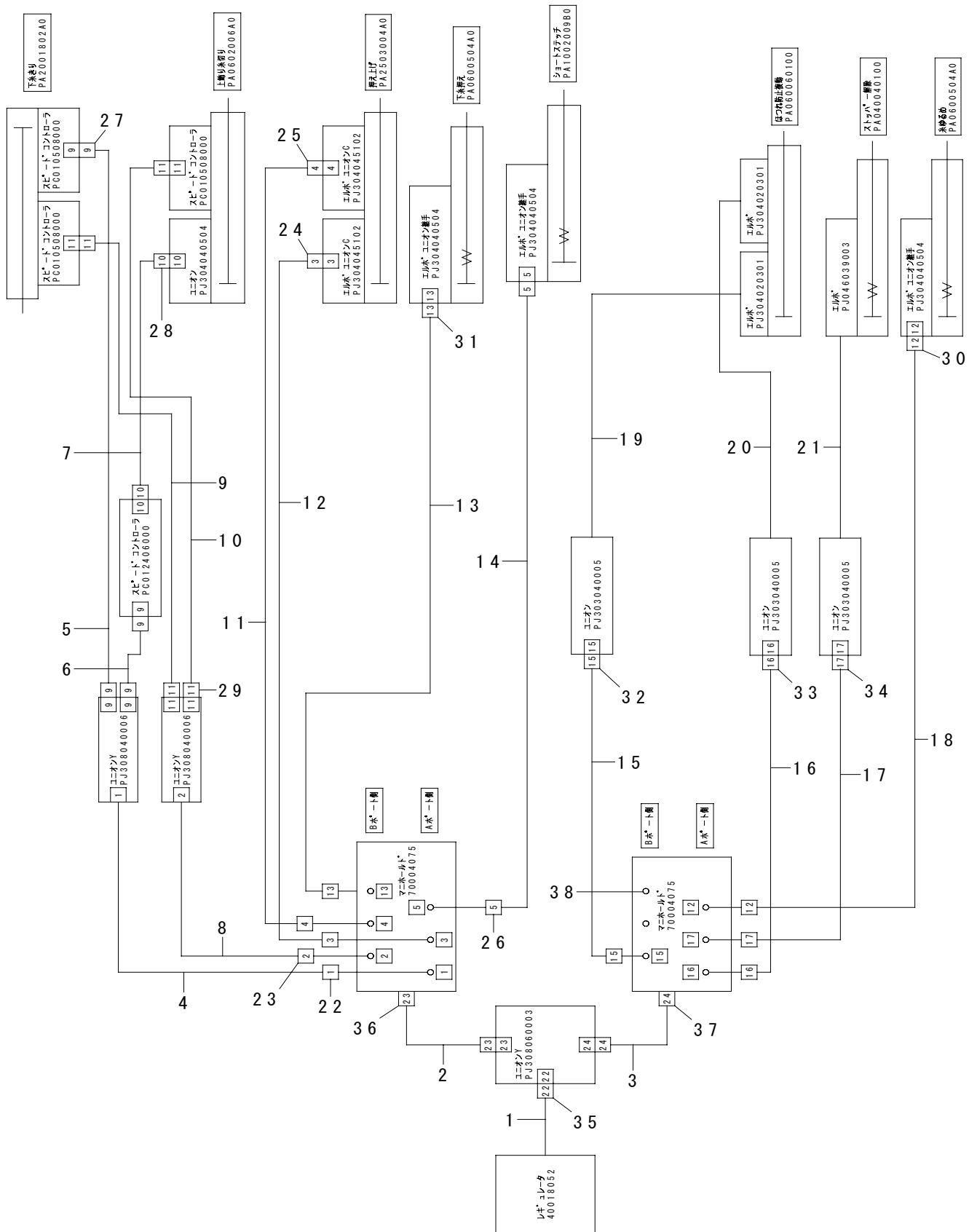
REF.NO	NOTE	PART NO	DESCRIPTION	Qty
1		134-42504	AIR CYLINDER BRACKET	1
2		700-04075	MANIFOLD_VALVE_ASSY	1
3		PV-0351610-00	MANIFOLD	(1)
4		PX-0551040-00	SILENCER	(2)
5		PJ-3040651-01	ELBOW UNION 6XPT1/8	(1)
6		PJ-0251000-02	PLUG R1/8	(3)
7		PV-1501032-00	5-PORT SOKENOID VALVE	(3)
8		SM-6061400-SP	SCREW M6 L=14	2
9		SM-4043555-SP	SCREW	2
10		PA-2001802-A0	AIR CYLINDER	1
11		PC-0105080-00	SPEED CONTROLLER	2
12		134-43601	WASHER	1
13		134-42900	COLLAR	1
14		SM-6051002-TP	SCREW M5X0.8 L=10	1
15		134-43007	PLATE HOLDER	1
16		SM-6061202-TP	SCREW M6 L=12	1
17		SM-4040655-SP	SCREW M4 L=6	2
18		700-01776	SENSOR HOLDER	1
19		700-01778	SUPPORT PLATE UT	1
20		WP-0430800-SC	WASHER M4	2
21		SM-6040802-TP	SCREW M4X0.7 L=8	2
22		134-43205	SWITCH PLATE	1
23		SM-4040655-SP	SCREW M4 L=6	2
24		229-01805	GROUND MARK	1
25		134-43106	TENS RELEASE PLATE	1
26		134-42603	PLUNGER	1
27		134-42702	PIN	1
28		700-01777	SENSOR HOLDER	1
29		SM-4040655-SP	SCREW M4 L=6	2
30		SM-6061002-TP	SCREW M6 L=10	3
31		SM-4031001-SN	SCREW	1
32		700-01479	TENSION RELEASE LEVER	1
33		SM-6041202-TP	SCREW M4X0.7 L=12	1
34		SD-0700706-TP	SHOULDER SCREW D=7 H=7	1
35		400-21746	UNDER TRIMMER SENSOR CABLE ASM	1
36		WS-0610002-KP	SPRING WASHER	2
37		400-19869	SS_LEVER	1
38		400-19870	SS_CYLINDER_BKT	1
39		PA-1002009-B0	AIR CYLINDER	1
40		PX-5000050-00	CYLINDER MOVING BASE	2
41		PX-5000060-00	Y-SHAPE NUCKLE	1
42		PC-0105080-00	SPEED CONTROLLER	1
43		SM-6051200-TP	SCREW	2
44		SM-6040800-SP	SCREW	2
45		WP-0450826-SC	WASHER 4.5X10X0.8	2
46		400-19877	SS_CABLE_ASM	1
47		HX-0015000-0C	CABLE CLAMP	2
48		SM-4040655-SP	SCREW M4 L=6	2
49		EA-9500B01-00	CABLE BAND	3
50		400-27211	UNDER TRIMMER CABLE B ASM	1
51		400-27213	LIFT UP CABLE B ASM	1
52		WT-0430002-KN	WASHER M4	1
53		SM-4040501-SN	SCREW M4X0.7 L=5	1
54		HX-0015000-0B	CABLE CLAMP	1
55		SM-4040655-SP	SCREW M4 L=6	1
56		HX-0031400-00	SPIRAL TUBE	0.96
57		HX-0031400-0D	SPIRAL TUBE	0.12
58		HX-0031400-0D	SPIRAL TUBE	0.1
59		400-69703	SOLENOIDE COVER	1
60		SM-6050802-TP	SCREW M5X0.8 L=8	3
61		400-18079	PNEUMATIC P F LIFTER ASSY	1
62		PA-2503004-A0	AIR CYLINDER	(1)
63		134-55001	AIR CYLINDER BRACKET	(1)
64		134-55100	AIR CYLINDER CAP	(1)
65		PJ-3040451-02	ELBOW UNION C	(2)
66		WP-0621016-SD	WASHER 6.2X13X1	2

## 7. FRAY PREVENTION COMPONENTS



REF.NO	NOTE	PART NO	DESCRIPTION	Qty
1		700-03434	HOOK	1
2		700-03435	HOOK_BASE	1
3		700-03436	LINK_A	1
4		700-03437	LINK_B	1
5		700-03438	LINK_C	1
6		700-03439	AIR_CYLINDER_BASE	1
7		700-03440	AIR_CYLINDER_GUIDE	1
8		700-03441	STOPPER	1
9		700-03442	STOPPER_BASE	1
10		700-03443	STOPPER_PIN	1
11		700-03444	SPRING_BRACKET	1
12		700-03447	SPRING	1
13		700-03448	COLLAR	1
14		SM-6852002-TN	SCREW M2.5 L=20	2
15		SM-6850400-SP	SCREW M2.5 L=4	2
16		700-03453	LINK_PIN	1
17		700-03455	NDL_GUARD_COVER	1
18		PA-0600601-00	AIR_CYLINDER	1
19		PA-0400401-00	AIR_CYLINDER	1
20		PJ-3040203-01	ELBOW	2
21		PJ-0460390-03	ELBOW	1
22		SM-5040655-SN	SCREW	1
23		SM-6030350-SN	SCREW M3 L=2.5	2
24		WP-0320501-SE	WASHER 3	2
25		SD-0500205-TH	SHOULDER SCREW D=5 H=2	1
26		SD-0350156-TP	SHOULDER SCREW D=3.5 H=1.5	3
27		SD-0600277-TP	SHOULDER SCREW D=6 H=2.7	1
28		SM-6030650-TP	SCREW	2
29		WP-0320500-SC	WASHER M3	2
30		SM-6031602-TN	SCREW M3 L=16	2
31		SM-6851452-TN	SCREW M2.5 L=14	1
32		WS-0260002-KN	WASHER M2.6	1
33		SM-4020301-SC	SCREW M2X0.4 L=3	2

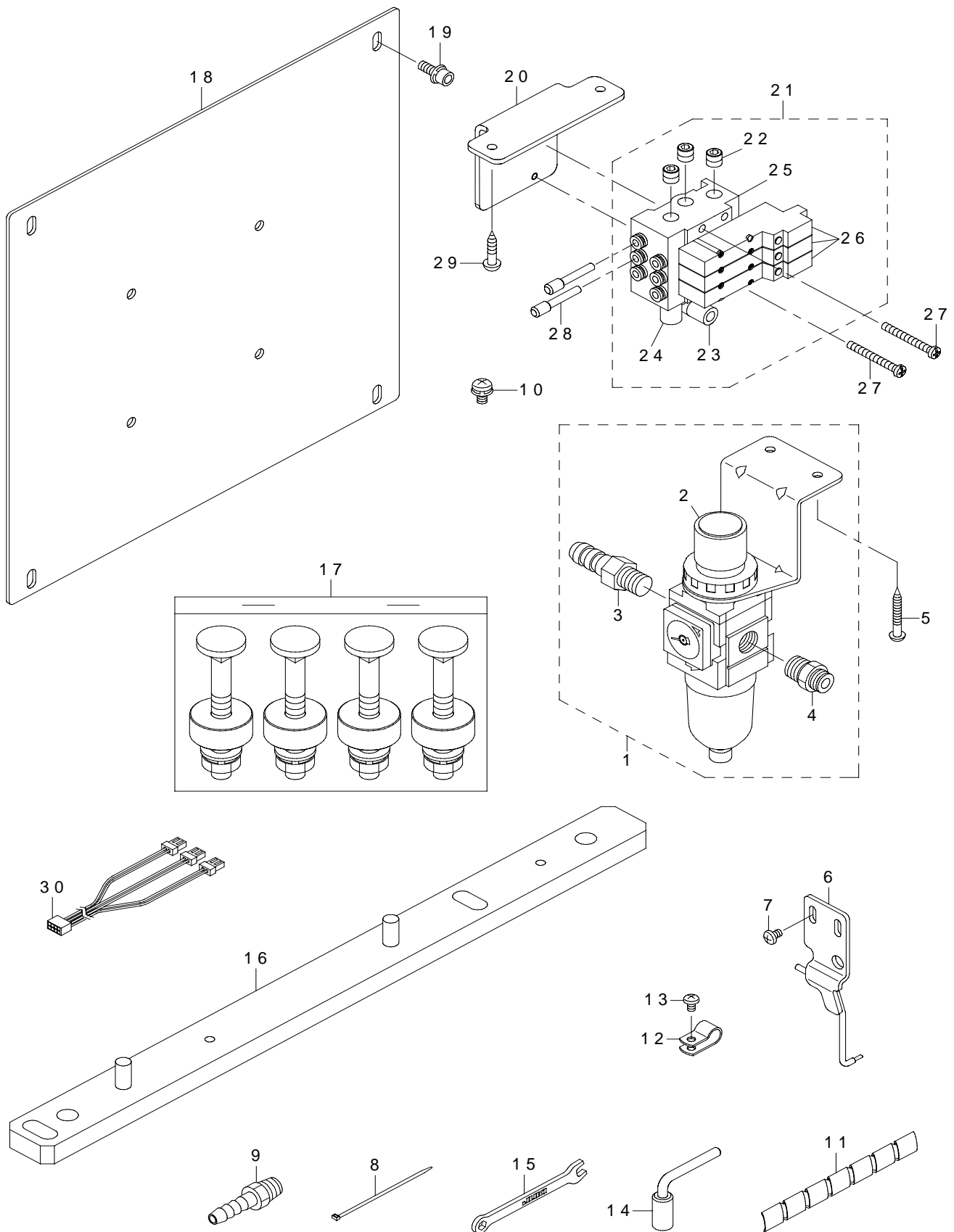
# 8. AIR PIPING DIAGRAM





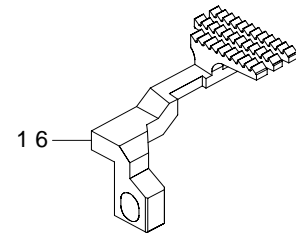
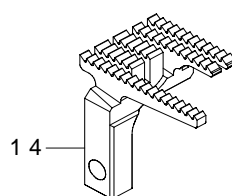
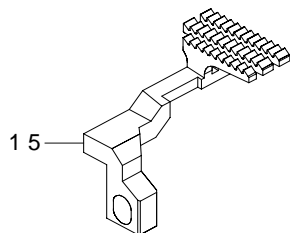
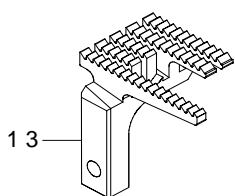
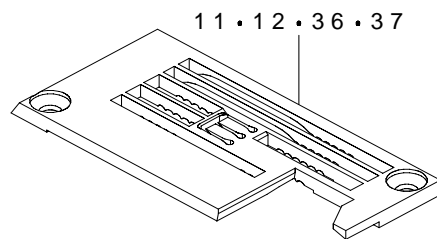
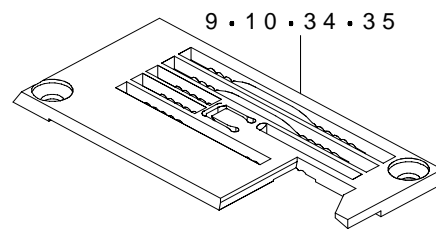
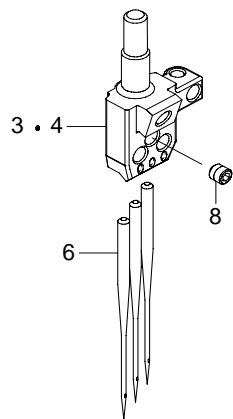
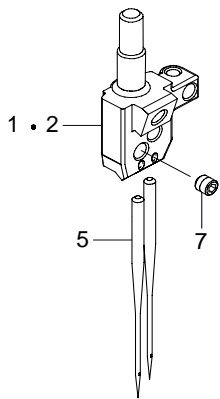
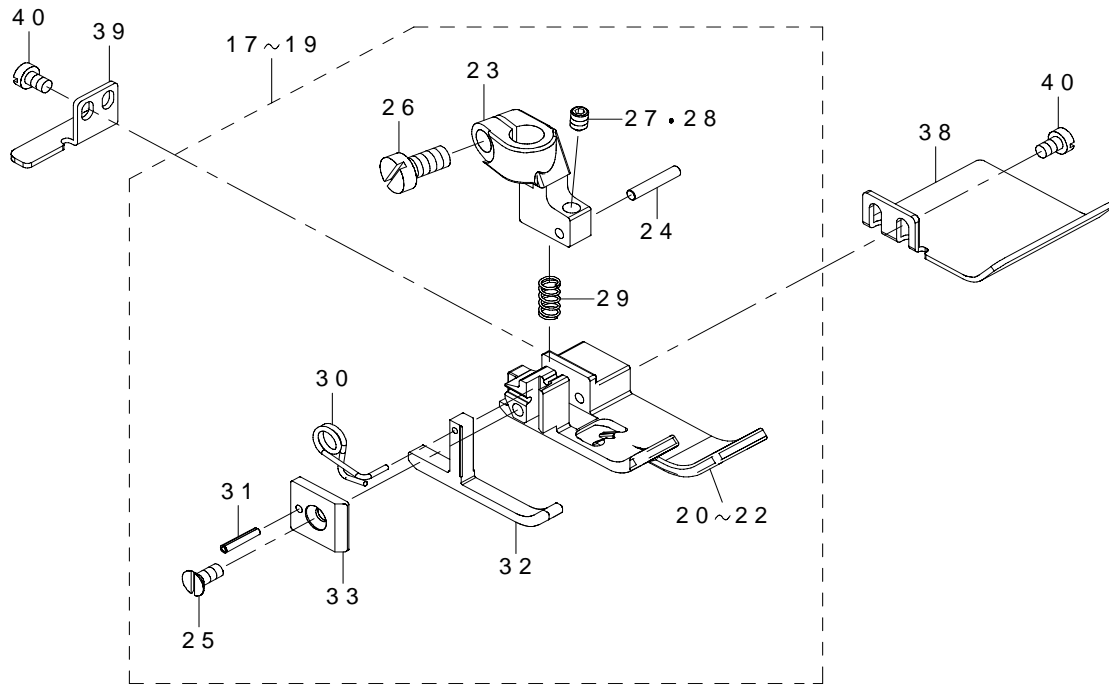
REF.NO	NOTE	PART NO	DESCRIPTION	Qty
1		BT-0600401-EB	URETHANE TUBE BLACK 6X4	2
2		BT-0600401-EB	URETHANE TUBE BLACK 6X4	0.22
3		BT-0600401-EB	URETHANE TUBE BLACK 6X4	0.13
4		BT-0400251-EB	URETHANE TUBE BLACK 4X2.5	0.08
5		BT-0400252-EB	URETHANE TUBE BLACK 4X2.6	0.32
6		BT-0400253-EB	URETHANE TUBE BLACK 4X2.7	0.42
7		BT-0400254-EB	URETHANE TUBE BLACK 4X2.8	0.23
8		BT-0400255-EB	URETHANE TUBE BLACK 4X2.9	0.08
9		BT-0400256-EB	URETHANE TUBE BLACK 4X2.10	0.27
10		BT-0400257-EB	URETHANE TUBE BLACK 4X2.11	0.63
11		BT-0400258-EB	URETHANE TUBE BLACK 4X2.12	0.3
12		BT-0400259-EB	URETHANE TUBE BLACK 4X2.13	0.22
13		BT-0400261-EB	URETHANE TUBE BLACK 4X2.15	0.45
14		BT-0400262-EB	URETHANE TUBE BLACK 4X2.16	0.65
15		BT-0400263-EB	URETHANE TUBE BLACK 4X2.17	0.2
16		BT-0400264-EB	URETHANE TUBE BLACK 4X2.18	0.2
17		BT-0400265-EB	URETHANE TUBE BLACK 4X2.19	0.2
18		BT-0400266-EB	URETHANE TUBE BLACK 4X2.20	0.6
19		BT-0180101-EB	TUBE HOSE 1.8X1	0.35
20		BT-0180102-EB	TUBE HOSE 1.8X2	0.35
21		BT-0180103-EB	TUBE HOSE 1.8X3	0.35
22		180-35006	WIRE MARK (1)	3
23		180-35105	WIRE MARK (2)	3
24		180-35204	WIRE MARK (3)	4
25		180-35303	WIRE MARK (4)	4
26		180-35402	WIRE MARK (5)	3
27		180-35808	WIRE MARK (9)	8
28		180-35907	WIRE MARK (10)	4
29		180-36004	WIRE MARK (11)	8
30		180-36103	WIRE MARK (12)	4
31		180-36202	WIRE MARK (13)	4
32		180-36400	WIRE MARK (15)	4
33		180-36509	WIRE MARK (16)	4
34		180-36608	WIRE MARK (17)	4
35		180-37101	WIRE MARK (22)	2
36		180-37200	WIRE MARK (23)	3
37		180-37309	WIRE MARK (24)	3
38		PX-5000140-00	PLUG 4	2

## 9. ACCESSORIE PARTS COMPONENTS



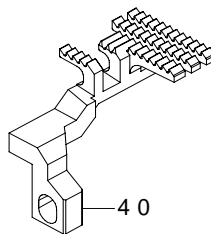
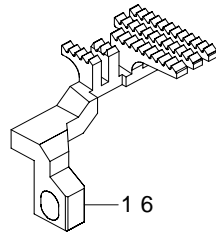
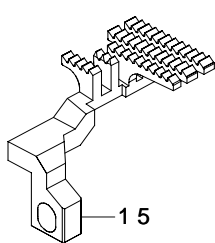
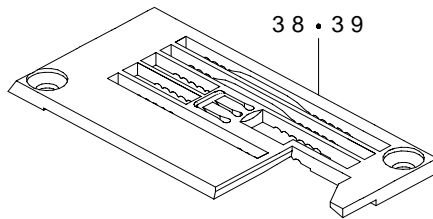
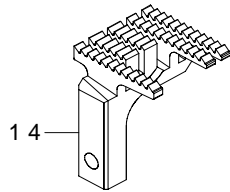
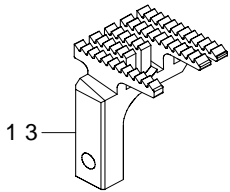
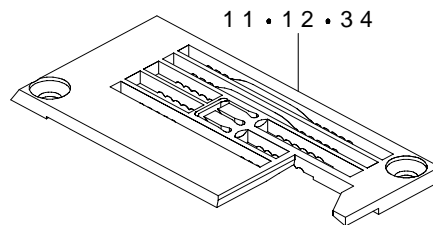
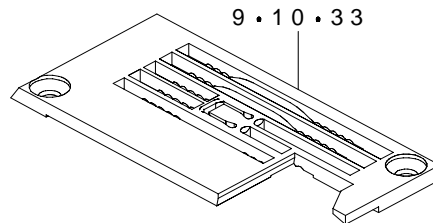
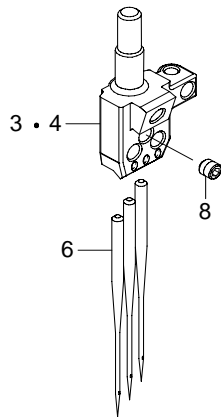
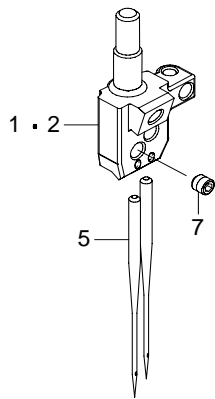
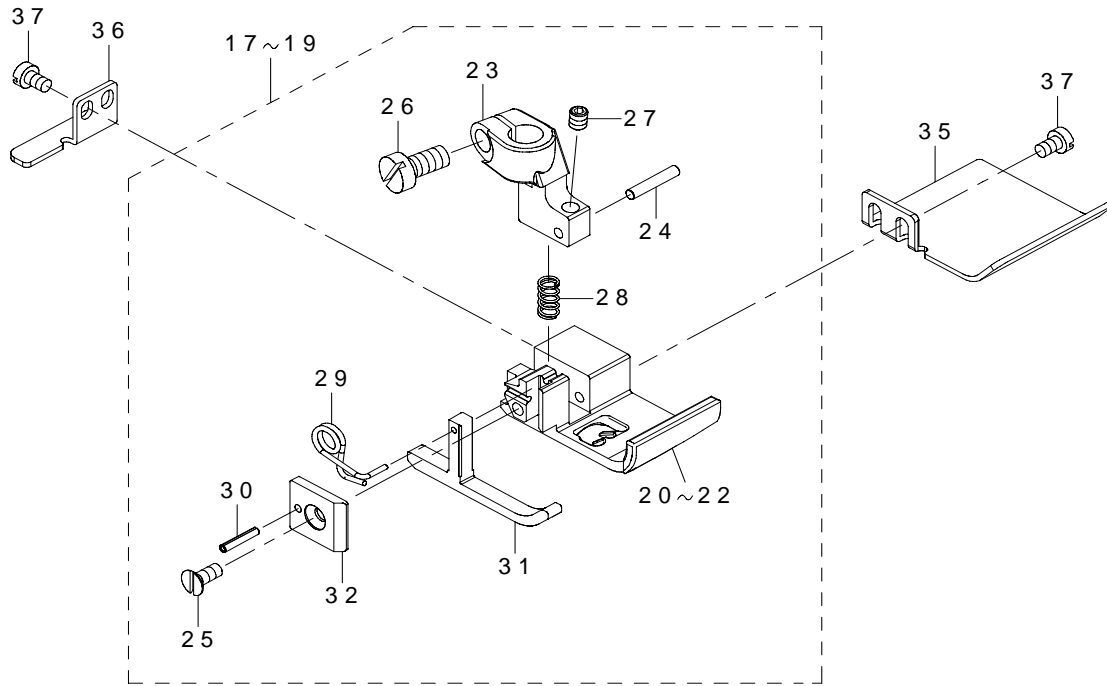
REF.NO	NOTE	PART NO	DESCRIPTION	Qty
1		400-18052	FILTER REGULATOR ASSY	1
2		PF-0552070-C0	FILTER GEGULATOR	(1)
3		F1021-003-000	HOSE JOINT	(1)
4		PJ-3010652-01	HALF UNION 6XPT1/4	(1)
5		SK-3452001-SE	WOOD SCREW D=4.5 L=20	2
6	#02	700-01785	AIR BLOW TUBE ASSY	1
7		SM-4040655-SP	SCREW M4 L=6	2
8		EA-9500B01-00	CABLE BAND	3
9		PJ-0325260-01	HOSE NIPPLE	1
10	#01	SL-4051091-SC	SCREW M5 L=10	4
11		HX-0031400-0A	SPIRAL TUBE	0.6
12		HX-0015000-0C	CABLE CLIP	1
13		SM-4040655-SP	SCREW M4 L=6	1
14		400-73360	WRENCH	1
15		131-60106	SPANNER (5X6)	1
16	#01	700-01843	SUPPORT PLATE ASSY	2
17	#01	400-26691	ASSY BOLT SET	1
18	#01	400-94198	SC BRACKET	1
19	#01	SL-6051492-TN	SCREW M5 L=14	4
20		700-03446	MANIFOLD_BRACKET	1
21		700-04075	MANIFOLD_VALVE_ASSY	1
22		PJ-0251000-02	PLUG R1/8	(3)
23		PJ-3040651-01	ELBOW UNION 6XPT1/8	(1)
24		PX-0551040-00	SILENCER	(2)
25		PV-0351610-00	MANIFOLD	(1)
26		PV-1501032-00	5-PORT SOKENOID VALVE	(3)
27		SM-4043555-SP	SCREW	2
28		PX-5000140-00	PLUG 4	2
29		SK-3452001-SE	WOOD SCREW D=4.5 L=20	2
30		401-36651	CABLE ASSY	1
	NOTE		#01....FOR HALF-SUNKEN TYPE TABLE	
			#02....FOR UT56	

# 10. GAUGE COMPONENTS (FOR H22)



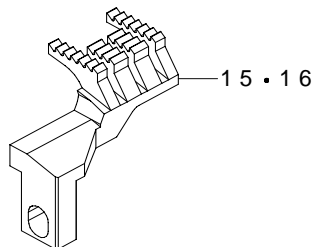
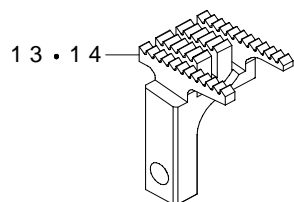
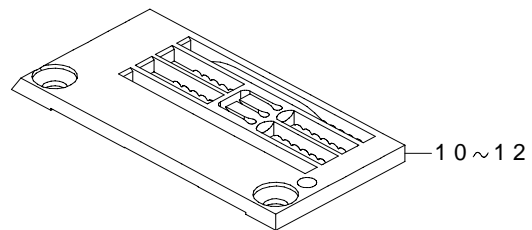
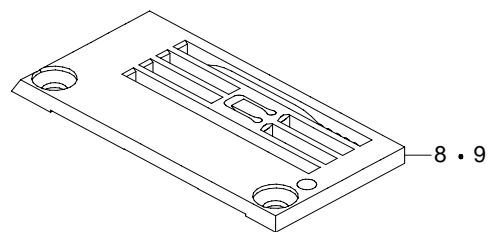
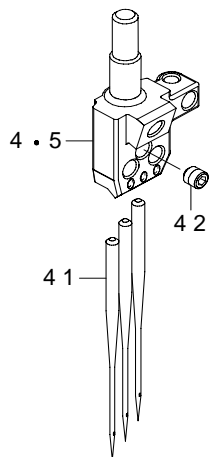
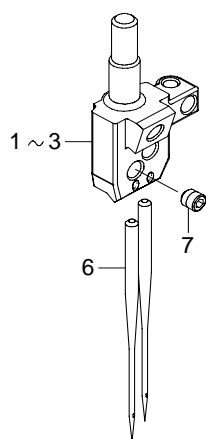
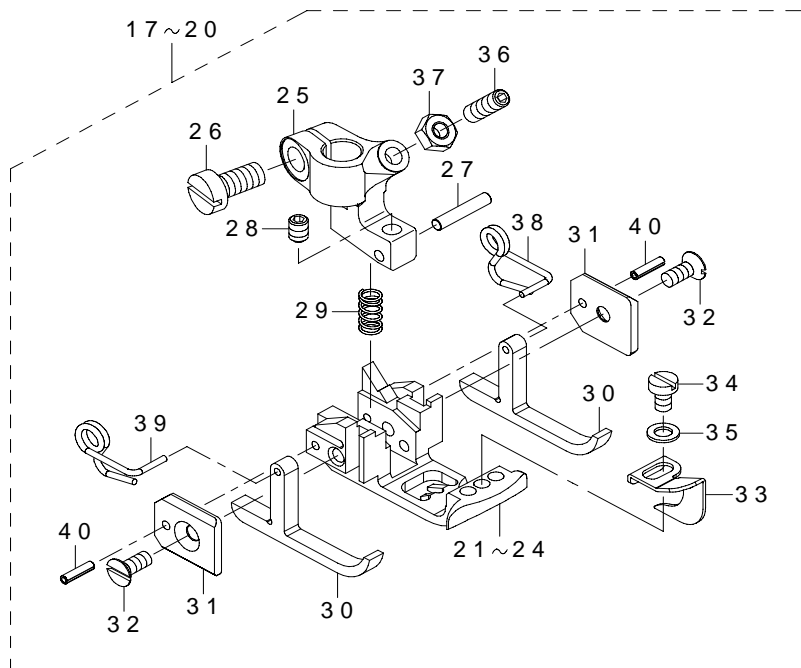
REF.NO	NOTE	PART NO	DESCRIPTION	Qty
1	#01	133-50103	NEEDLE HEAD 40	1
2	#02	133-50509	NEEDLE HEAD 48	1
3	#03	133-50301	NEEDLE HEAD 56	1
4	#04	133-50400	NEEDLE HEAD 64	1
5	#05	MUY-128S1000	NEEDLE	2
6	#06	MUY-128S1000	NEEDLE	3
7	#05	SM-8030312-TP	SCREW M3 L=3	3
8	#06	SM-8030312-TP	SCREW M3 L=3	4
9	#01	700-01948	THROAT PLATE	1
10	#02	700-01949	THROAT PLATE	1
11	#03	134-45200	THROAT PLATE	1
12	#04	134-45309	THROAT PLATE	1
13	#05	700-04150	MAIN_FEED_DOG	1
14	#06	700-04080	MAIN_FEED_DOG	1
15	#05	400-69022	DIFF FEED DOG	1
16	#06	400-69023	DIFF FEED DOG	1
17	#01	700-01952	PRESSER FOOT ASSY	1
18	#02	400-32255	PRESSER FOOT ASSEMBLY 48	1
19	#06	134-67758	PRESSER FOOT ASSY	1
20	#01	700-01951	PRESSER FOOT BOTTOM	(1)
21	#02	134-67600	PRESSER FOOT BOTTOM	(1)
22	#06	400-29648	PRESSER FOOT BOTTOM	(1)
23		134-67907	PRESSER FOOT SHANK	(1)
24		133-75209	PIVOT PIN	(1)
25		SM-1850600-SP	SCREW	(1)
26		SM-6040800-SP	SCREW	(1)
27		SM-8030402-TP	SCREW M3X0.5 L=4	(1)
28	#02	SM-8030412-TP	SCREW	(1)
29		133-77106	SPRING	(1)
30		133-75308	SPRING L	(1)
31		PS-0150082-KH	SPRING PIN	(1)
32		400-29649	YIELDING SECTION	(1)
33		134-68103	YIELDING SECTION PLATE	(1)
34	#07	400-69018	THROAT PLATE	1
35	#08	700-01950	THROAT PLATE	1
36	#09	400-69019	THROAT PLATE	1
37	#10	400-69020	THROAT PLATE	1
38	#11	400-38064	FABRIC GUIDE	1
39	#11	400-27899	FABRIC GUIDE	1
40	#11	SM-6850400-SP	SCREW M2.5 L=4	4
		NOTE	#01....FOR B40	
			#02....FOR B48	
			#03....FOR B56	
			#04....FOR B64	
			#05....FOR B40,B48	
			#06....FOR B56,B64	
			#07....FOR B40(OPTION TYPE D)	
			#08....FOR B48(OPTION TYPE D)	
			#09....FOR B56(OPTION TYPE D)	
			#10....FOR B64(OPTION TYPE D)	
			#11....ACCESSORY PARTS	

# 11. GAUGE COMPONENTS (FOR H23)



REF.NO	NOTE	PART NO	DESCRIPTION	Qty
1	#01	133-50103	NEEDLE HEAD 40	1
2	#02	133-50509	NEEDLE HEAD 48	1
3	#03	133-50301	NEEDLE HEAD 56	1
4	#04	133-50400	NEEDLE HEAD 64	1
5	#05	MUY-128S1000	NEEDLE UYX128GAS (S BALL POINT) #10S	2
6	#06	MUY-128S1000	NEEDLE UYX128GAS (S BALL POINT) #10S	3
7	#05	SM-8030312-TP	SCREW	3
8	#06	SM-8030312-TP	SCREW	4
9	#01	400-58639	THROAT PLATE	1
10	#02	134-45101	THROAT PLATE	1
11	#03	400-41203	THROAT PLATE	1
12	#04	400-41204	THROAT PLATE	1
13	#05	400-41249	MAIN FEED DOG	1
14	#06	400-32900	MAIN FEED DOG	1
15	#05	700-04151	DIFF_FEED_DOG	1
16	#06	700-04081	DIFF_FEED_DOG	1
17	#01	400-48637	PRESSER FOOT ASSY	1
18	#02	400-39796	PRESSER FOOT ASSY	1
19	#06	400-39794	PRESSER FOOT ASSY	1
20	#01	400-48636	PRESSER FOOT BOTTOM	(1)
21	#02	400-39795	PRESSER FOOT BOTTOM	(1)
22	#06	400-38066	PRESSER FOOT BOTTOM	(1)
23		134-67907	PRESSER FOOT SHANK	(1)
24		133-75209	PIVOT PIN	(1)
25		SM-1850600-SP	SCREW	(1)
26		SM-6040800-SP	SCREW	(1)
27		SM-8030412-TP	SCREW	(1)
28		133-77106	SPRING	(1)
29		133-75308	SPRING L	(1)
30		PS-0150082-KH	SPRING PIN	(1)
31		400-38032	YIELDING SECTION	(1)
32		134-68103	YIELDING SECTION PLATE	(1)
33	#07	400-35066	THROAT PLATE	1
34	#08	400-49944	THROAT PLATE	1
35	#09	400-38064	FABRIC GUIDE	1
36	#09	400-27899	FABRIC GUIDE	1
37	#09	SM-6850400-SP	SCREW M2.5 L=4	4
38	#10	700-01885	THROAT_PLATE_B56	1
39	#11	700-01886	THROAT_PLATE_D56	1
40	#10	700-04279	DIFF FEED DOG	1
		NOTE	#01....FOR B40	
			#02....FOR B48	
			#03....FOR B56	
			#04....FOR B64	
			#05....FOR B40,B48	
			#06....FOR B56,B64	
			#07....FOR B40(OPTION TYPE D)	
			#08....FOR B56(OPTION TYPE D)	
			#09....ACCESSORY PARTS	
			#10....B56(FOR TURKEY)	
			#11....B56(FOR TURKEY OPTION TYPE D)	

## 12. GAUGE COMPONENTS (FOR U11)





REF.NO	NOTE	PART NO	DESCRIPTION	Qty
1	#01	133-50004	NEEDLE HEAD 32	1
2	#02	133-50103	NEEDLE HEAD 40	1
3	#03	133-50509	NEEDLE HEAD 48	1
4	#04	133-50301	NEEDLE HEAD 56	1
5	#05	133-50400	NEEDLE HEAD 64	1
6		MUY-128S1000	NEEDLE	2
7		SM-8030312-TP	SCREW M3 L=3	3
8	#01	400-58587	THROAT PLATE	1
9	#02	400-58706	THROAT PLATE	1
10	#03	400-40514	THROAT PLATE	1
11	#04	400-58033	THROAT PLATE	1
12	#05	400-40513	THROAT PLATE	1
13	#06	134-31200	MAIN FEED DOG	1
14	#07	134-30103	MAIN FEED DOG	1
15	#06	700-04268	DIFF_FEED_DOG	1
16	#07	700-04267	DIFF_FEED_DOG	1
17	#01	400-90133	PRESSER FOOT ASSY	1
18	#02	400-90196	PRESSER FOOT ASSY	1
19	#03	400-90197	PRESSER FOOT ASSY	1
20	#07	400-82974	PRESSER FOOT ASSY	1
21	#01	400-90130	PRESSER FOOT BOTTOM	(1)
22	#02	400-90131	PRESSER FOOT BOTTOM	(1)
23	#03	400-90132	PRESSER FOOT BOTTOM	(1)
24	#07	400-82975	PRESSER FOOT BOTTOM	(1)
25		400-70224	PRESSER FOOT HINGE	(1)
26		SM-6040800-SP	SCREW	(1)
27		133-75209	PIVOT PIN	(1)
28		SM-8030412-TP	SCREW	(1)
29		133-77106	SPRING	(1)
30		400-70226	P F YIELDING SECTION	(2)
31		400-70227	GUIDE PLATE	(2)
32		SM-1850600-SP	SCREW	(2)
33		400-70231	PRESSER FOOT GUIDE	(1)
34		SM-6850400-SP	SCREW M2.5 L=4	(1)
35		WP-0280500-SC	WASHER	(1)
36		SM-8031002-TP	SCREW	(1)
37		NM-6030001-SD	NUT M3X0.5	(1)
38		400-70230	SPRING R	(1)
39		400-70229	SPRING L	(1)
40		PS-0150065-KP	SPRING PIN 1.5X6	(2)
41		MUY-128S1000	NEEDLE	3
42		SM-8030312-TP	SCREW M3 L=3	4

NOTE

#01....FOR B32  
#02....FOR B40  
#03....FOR B48  
#04....FOR B56  
#05....FOR B64  
#06....FOR B32,B40,48  
#07....FOR B56,B64